



PRODUCT CATALOG

Closed Strand Sockets

- ▶ Material: high strength structural steel casting
- ▶ Magnetic particle inspected
- ▶ Hot-dip galvanized zinc coated surface
- ▶ [View Specifications Chart](#)

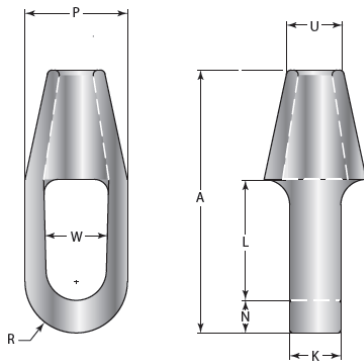


Tolerances:

- ▶ Dimensions under 4" (102 mm): +/- 1/16" (1.6 mm)
- ▶ Dimensions over 4" (102 mm): +/- 1/8" (3.2 mm)

Notes:

- ▶ 100% efficient for Spiral Strand or Full Locked Coil
- ▶ Dimensions and tolerances shown are prior to galvanization
- ▶ Available with Zinc, Resin, and HT socketing material. WireCo's exclusive HT socketing material for preventing damage from heat.



Functional. Artistic. Timeless. When it comes to stadiums, bridges and structures, WireCo Structures is ready to help our customers' designs soar. WireCo is the market leader in rope manufacturing, chosen to supply cables for the world's highest profile bridge and stadium projects. From anchoring to suspending, customers around the world trust WireCo Structures to meet the demands of their diverse applications and designs, on time and to your specifications, every time. Results by Design—for the world.